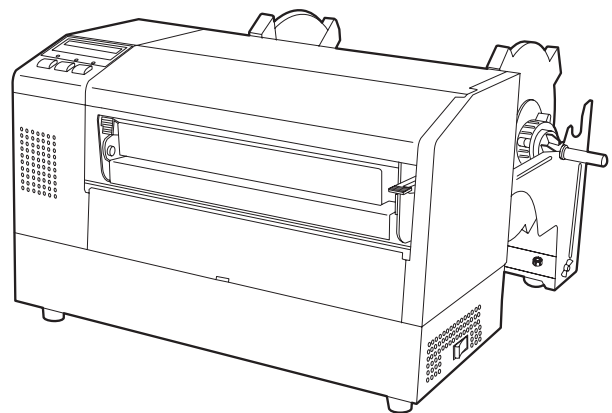




TEC Label/Tag Printer

B-852-TS12-QQ

Owner's Manual



TOSHIBA TEC CORPORATION

TABLE OF CONTENTS

	Page
1. PRODUCT OVERVIEW	1-1
1.1 Introduction	1-1
1.2 Features	1-1
1.3 Unpacking	1-1
1.4 Accessories	1-2
1.5 Appearance	1-3
1.5.1 Dimensions	1-3
1.5.2 Front View	1-3
1.5.3 Rear View	1-3
1.5.4 Operation Panel	1-4
1.5.5 Interior	1-4
2. PRINTER SETUP	2-1
2.1 Precautions	2-1
2.2 Procedure before Operation	2-2
2.3 Assembling the Accessories	2-3
2.3.1 Assembling the Supply Holder Frame	2-3
2.4 Connecting the Cables to Your Printer	2-4
2.5 Connecting the Power Cord	2-5
2.6 Turning the Printer ON/OFF	2-6
2.6.1 Turning ON the Printer	2-6
2.6.2 Turning OFF the Printer	2-6
2.7 Loading the Media	2-7
2.7.1 Installing the Media onto the Supply Holder Unit	2-7
2.7.2 Installing the Supply Holder onto the Supply Holder Frame	2-9
2.7.3 Loading Media into the Printer	2-9
2.8 Setting Sensor Positions	2-12
2.8.1 Setting the Feed Gap Sensor	2-12
2.8.2 Setting the Black Mark Sensor	2-12
2.9 Loading the Ribbon	2-13
2.10 Inserting the Optional PCMCIA Cards	2-14
2.11 Test Print	2-15
3. PRINTER OPERATION	3-1
3.1 Overview	3-1
3.2 Operating Modes	3-1
3.3 Installing the Printer Drivers	3-3
3.3.1 System Requirements	3-3
3.3.2 Driver Download	3-3
3.3.3 Driver Installation	3-5
3.3.4 Add Printer	3-7
3.3.5 Uninstalling the TEC B-852 Printer Driver	3-8
3.4 Using the B-852 Printer Properties Menus	3-9
3.4.1 Summary of Properties	3-10
3.4.2 General Properties Tab	3-11
3.4.3 Details Tab	3-12
3.4.4 Regional Settings Tab	3-15
3.4.5 Page Setup Tab	3-17
3.4.6 Graphic Tab	3-20
3.4.7 Bar Font Tab	3-21
3.4.8 Stock Tab	3-24
3.4.9 Options Tab	3-28
3.4.10 Testing Tab	3-29
3.4.11 About Tab	3-32

4. ON LINE MODE	4-1
4.1 Operation Panel.....	4-1
4.2 Operation.....	4-2
4.3 Reset.....	4-2
4.4 Dump Mode.....	4-2
5. MAINTENANCE	5-1
5.1 Cleaning	5-1
5.1.1 Print Head/Platen/Sensors.....	5-1
5.1.2 Covers and Panels.....	5-2
5.1.3 Optional Cutter Module	5-2
5.2 Care/Handling of the Media and Ribbon.....	5-2
6. TROUBLESHOOTING	6-1
6.1 Error Messages	6-1
6.2 Possible Problems.....	6-2
6.3 Removing Jammed Media	6-3
6.4 Threshold Setting	6-4
APPENDIX 1 SPECIFICATIONS	A1-1
A1.1 Printer.....	A1-1
A1.2 Options.....	A1-2
A1.3 Media	A1-2
A1.3.1 Media Type	A1-2
A1.3.2 Detection Area of the Transmissive Sensor	A1-3
A1.3.3 Detection Area of the Reflective Sensor	A1-4
A1.3.4 Effective Print Area	A1-4
A1.4 Ribbon.....	A1-5
APPENDIX 2 MESSAGE AND LED.....	A2-1
APPENDIX 3 INTERFACE.....	A3-1
APPENDIX 4 SYSTEM MODE.....	A4-1
A4.1 Operation Panel.....	A4-1
A4.2 Overview	A4-2
A4.3 Self-Diagnostic Test	A4-3
A4.4 Printer Parameter Fine Adjustment.....	A4-5
A4.5 Test Print.....	A4-13
A4.6 PCL Emulation Setting.....	A4-19
A4.7 Additional Information.....	A4-23
A4.7.1 Self-Diagnostic Test Result Sample and Descriptions.....	A4-23
A4.7.2 Maintenance Counter/Parameter Check Print Sample and Descriptions.....	A4-27
A4.7.3 Magnified Views of Slant Line Pattern.....	A4-30
APPENDIX 5 PRINT SAMPLES	A5-1
GLOSSARIES	
INDEX	

CAUTION!

1. This manual may not be copied in whole or in part without prior written permission of TOSHIBA TEC.
2. The contents of this manual may be changed without notification.
3. Please refer to your local Authorized Service representative with regard to any queries you may have in this manual.

This is a “Table of Contents preview” for quality assurance

The full manual can be purchased from our store:

https://the-checkout-tech.com/manuals/TEC/B-852-TS12-QQ_owners_manual.html

And our free Online Keysheet maker:

<https://the-checkout-tech.com/Cash-Register-Keysheet-Creator/>

[HTTPS://THE-CHECKOUT-TECH.COM](https://THE-CHECKOUT-TECH.COM)